

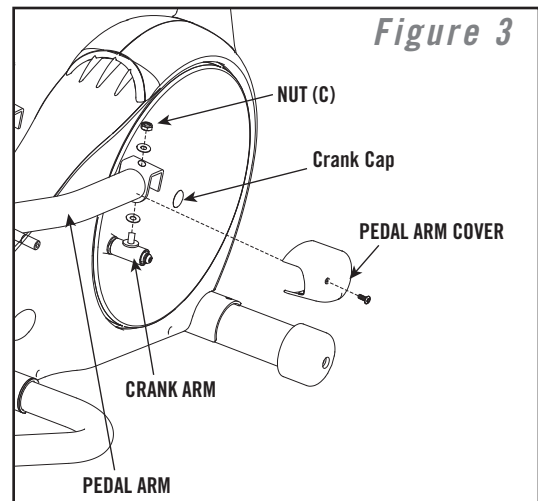
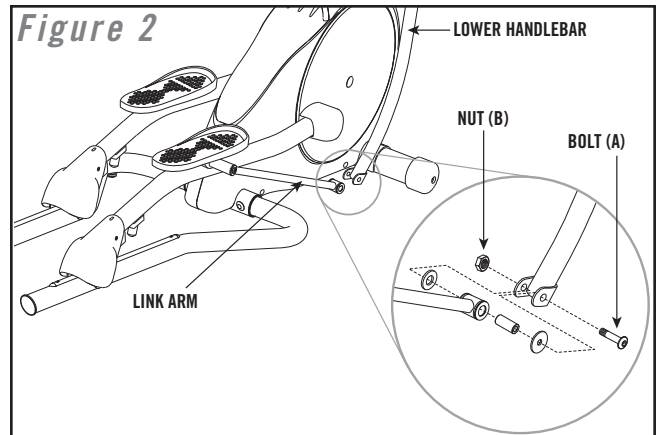
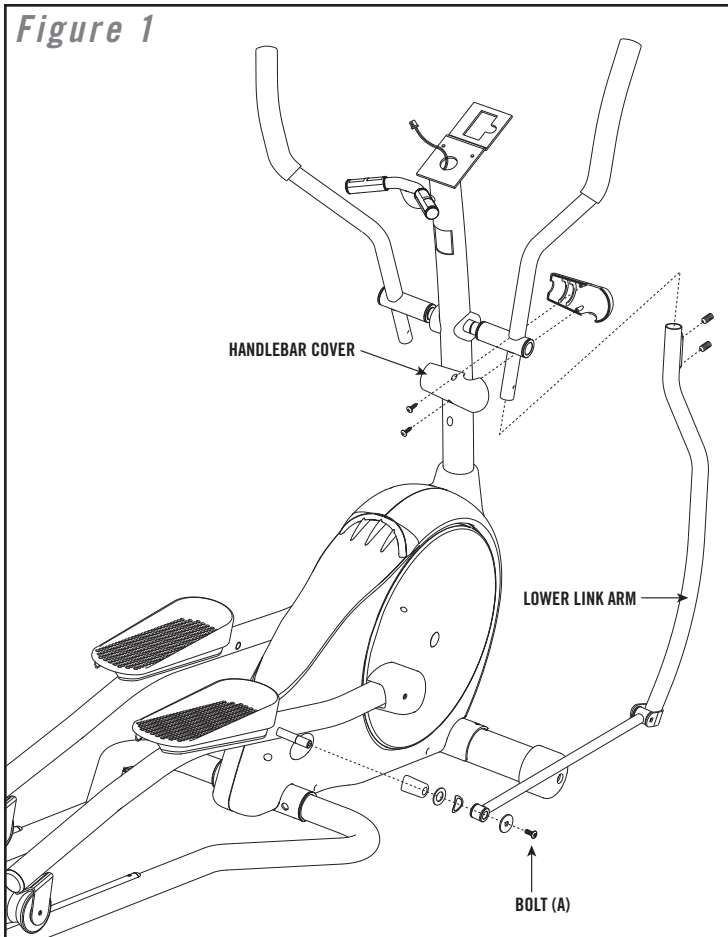
Crank Disk/Side Cover/Crank Arm Replacement (1.2E & 2.2E)

Tools Required:

- Phillips Screwdriver
- 14mm, 15mm, 17mm Socket and Combination Wrenches
- 4mm, 5mm Allen Wrenches
- Crank Puller

Procedure:

- 1) 1.2E Only – Remove handle bar covers. (Figure 1)
- 2) 1.2E Only – Remove set screws holding lower handle bar. (Figure 1)
- 3) 1.2E Only - Remove bolt (A) holding link arm to pedal arm bracket. (Figure 1)



- 4) 2.2E Only - Remove bolt (A) and nut (B) holding link arm to lower handlebar. (Figure 2)
- 5) Remove pedal arm cover. (Figure 3)
- 6) Remove nut (C) holding pedal arm to crank arm and remove pedal arm. (Figure 3)
- 7) Remove the crank cap from the center of the crank disk. (Figure 3)
- 8) Remove the crank arm nut. (Figure 4)
- 9) Thread the crank puller onto the crank axle and remove the crank arm and crank disk from the crank axle. (Figure 5)
- 10) If replacing crank arm or crank disc, remove crank arm from crank disk and replace with new one, if not continue to step 11.
 - a) Replace crank disc with crank arm 180 degrees from the other side, attach crank nut and replace cap. (Figures 3 and 4)
 - b) 2.2E Only-Reassemble reversing step 4. (Figure 2) **1.2E Only** – Reassemble reversing step 1-3. (Figure 1)

Crank Disk/Side Cover/Crank Arm Replacement (1.2E & 2.2E) Continued

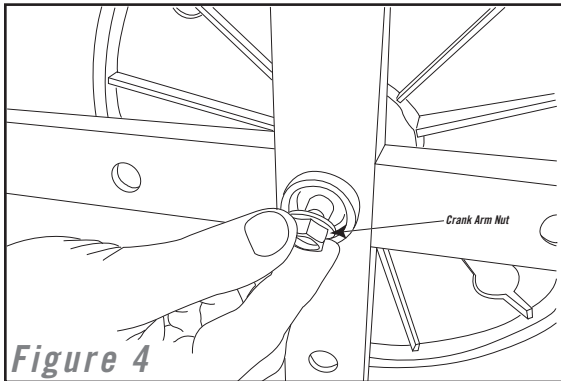


Figure 4

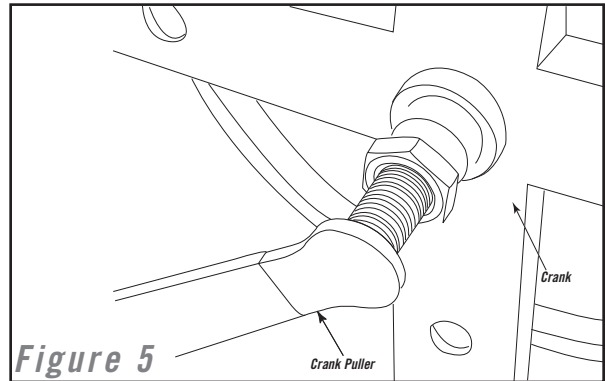


Figure 5

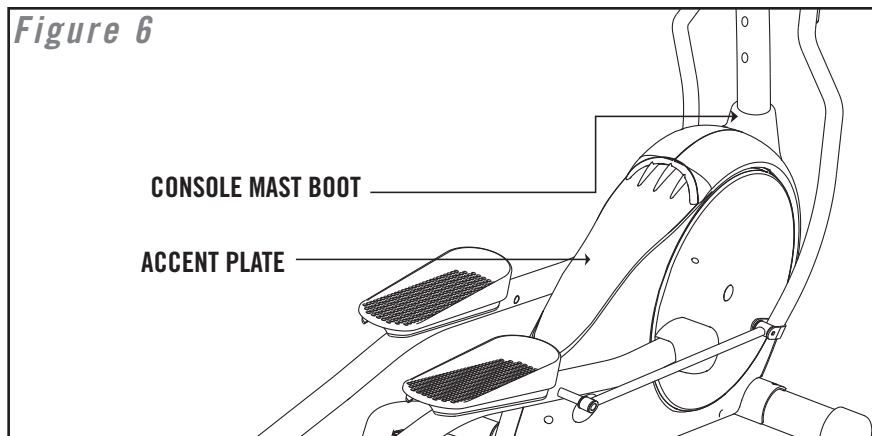


Figure 6

11) Lift console mast boot. (Figure 6)

12) Remove the accent piece by gently lifting up at the bottom of the accent piece and lifting towards the front of the machine. (Figure 6)

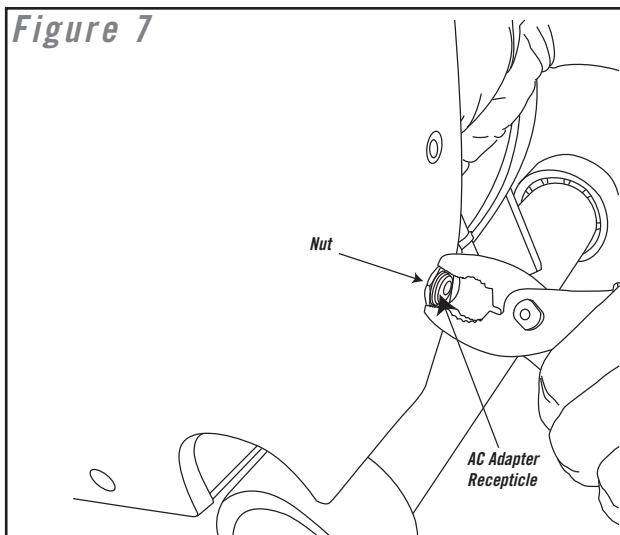


Figure 7

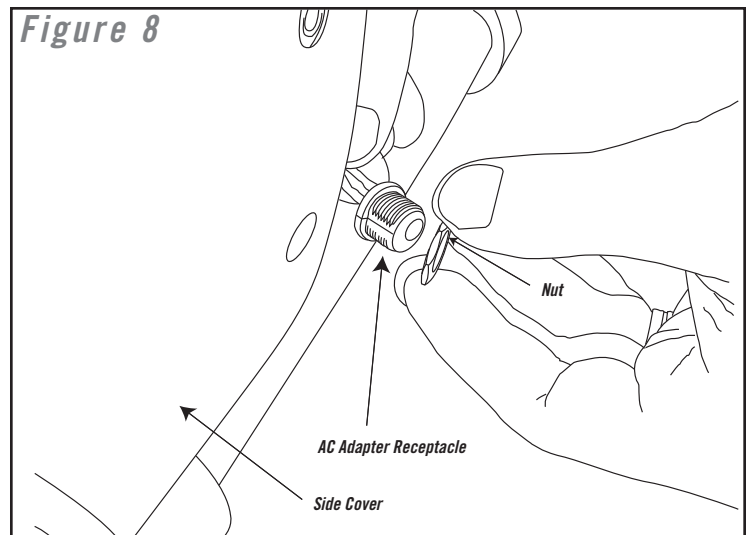


Figure 8

13) Remove side cover(s).

14) Replace side cover(s), accent piece and slide console mast boot down.

15) Replace crank disc with crank arm 180 degrees from the other side, attach crank nut and replace cap. (Figures 3 and 4)

16) Attach pedal arm to crank arm and tighten nut C and attach pedal arm cover. (Figure 3)

17) 2.2E Only-Reassemble reversing step 4. (Figure 2)

18) 1.2E Only – Reassemble reversing step 1-3. (Figure 1)